

TENDER

Enq. No. IIITMK/0524 /17

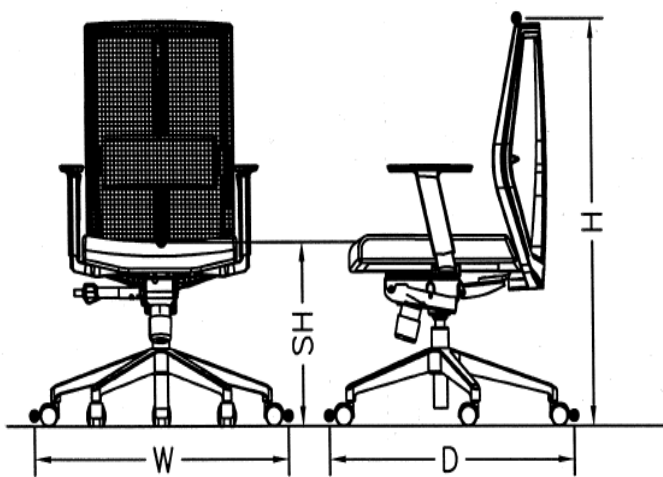
Date: 07/07/2017

Due on: 17/07//2017 4pm

On behalf of INDIAN INSTITUTE OF INFORMATION TECHNOLOGY & MANAGEMENT – KERALA (IIITMK), the Manager (Finance and Administration) invites offers for the “**Pulse Chair(40nos)**” from experienced and qualified vendors.

Detailed Specification

Item Description		Compliance (yes/ no)
Certification	Green Guard Certified	
Seat Size (Large Seat Depth):	47.0cm (W) x51.5cm (D)	
Back Size:	45.0cm.(W)x65.3cm(H)	
Seat Material	The HR polyurethane foam Shall be molded with density =55+/-2kg/m ³ and hardness 16±2kgf as per IS: 7888 for 25% compression.	
Pneumatic Height Adjustment	Adjustment stroke of 10+/-0.3cm.	
Pedestal Assembly	Injection molded in black 30% glass filled Nylon and fitted with 5 Nos. of twin wheel castors.	
Arm Height Adjustment	Yes	
Warranty	1 year	



WIDTH (W): 76.1 CM
DEPTH (D): 76.1 CM
HEIGHT (H): 98.0 - 108.0 CM
SEAT HEIGHT (SH): 44.0 - 54.0 CM.

Terms & Conditions

- Tender Documents shall be available only on the Internet and shall not be available for sales elsewhere. Cost of tender document, 0.2% of the tender value rounded to nearest multiple of 100, subject to minimum of Rs. 400 and maximum Rs.1500/- + GST(5%) to be submitted along with the tender.
- Replacement/Warranty/terms for minimum one year.
- Delivery / installation at the store should strictly be completed within the stipulated period of delivery i.e. maximum one month.
- Supplier will have to pay penalty on non-delivery after expiry of delivery date @ 0.5% per week subject to maximum of 10%.
- Supply at Maker Village, Kochi
- **Technical literature/ hand book /data sheets** etc if any must be sent along with the bid.
- Equipment must be provided with the stipulated guarantee against manufacturing and functional defects and the date of warranty shall commence from the date of acceptance/ taking over in good condition.
- Equipment supplied will be subjected to performance tests and in case the articles do not function / reach the expected standard, the suppliers are liable to replace the items free of cost at site. Cost of returning faulty goods will be to supplier's account.
- Prompt and efficient after sales service must be rendered free within the guarantee period.
- If any equipment or part thereof is lost or rendered defective during transit, the supplier shall immediately arrange for the supply of the equipment or part thereof as the case may be.
- IIITMK reserves the right to cancel the order without any liability in case the materials are not supplied within the stipulated period or non - fulfillment of contractual obligations.
- The tenderer must pay earnest money along with his tender as given in the notice inviting tenders failing which the tender will be summarily rejected. Earnest Money Deposit of Rs. 4,200/- be paid as demand draft favoring The Director, IIITMK payable at Trivandrum. No interest shall be paid by IIITMK on the Earnest Money Deposited by the tenderer. EMD of unsuccessful bidders will be returned without any interest, upon finalization of contract or on expiry of validity of offer. EMD of the successful tenderer will be returned without any interest, after receipt of performance security.
- Security deposit/ Performance Security: The selected tenderer shall deposit an amount equal to 5% of the value of contract within 7 days from the date of Purchase Order as DD payable at Trivandrum, from any Scheduled Bank or Nationalized Bank in favour of The Director, IIITMK or Bank Guarantee from a Scheduled banks in India. EMD will be forfeited if security deposit is not remitted as mentioned above. The security deposited by the successful tendered will be retained towards the retention amount and will be released after the warranty period.
- IIITMK shall make payment within 30 days of satisfactory installation and acceptance of the items supplied and issue of warranty certificate. Any condition for payment of advance shall

not be acceptable to IIITMK. In case of any defects to the materials supplied by the bidder, it should be replaced prior to release of the payment.

- Warranty/ Support: Warranty as per manufacture's. The items dispatched by the schedule of requirement shall carry replacement warranty from the date of acceptance of the items by IIITMK. Warranty shall include free maintenance including free replacement of parts. The defects, if any, shall be attended to on immediate basis but in no case any defect should remain unattended for more than 48 hours. The defects, if any, during the guarantee/ warranty period are to be rectified free of charge by arranging the replacement wherever necessary. This includes cost, insurance, freight, custom duty, octroi, local taxes if any, should be borne by the bidder. A clear confirmation should be given for this item.
- Quoted rate: The quoted rates shall be inclusive of all taxes and also the bidder shall include charges like excise duty, sales tax, service tax, entry tax etc., levies, freight, handling, loading, unloading, insurance premiums and placement at the facility and commissioning and installation and shall remain firm throughout the contract period. No compensation will be paid in case of any upward revision in the statutory taxes and levies or introduction of new taxes and levies.
- Firm period of Tender will be 90 days from the date of notification.
- IIITMK reserves the right to accept any quotation and to reject any or all quotations. IIITMK will place order on the vendor, whose offer has been determined to be substantially responsive to the tender.

Place: Technopark

Date: 07/07/17

Manager (F&A)

IIITM-K
Financial Bid
Tender Enq. No._____

Total amount for providing **Pulse Chair (40 nos)** at Maker Village as per the terms and conditions contained in the Tender document shall be Rs. _____
(Rupees. _____) including all taxes.